

# AV2105

## 2 Megapixel IP-camera

AV2105 (Color)

AV2105DN (Day/Night)

AV2105-AI (Color Auto-Iris)



### Arecont Vision Advantages:

#### World's First Full Line of H.264 Megapixel Cameras

- 1.3 to 5 megapixels with no frame rate reduction

#### H.264 (MPEG4 Part 10) Compression Standard

- Simultaneous support of both H.264 and MJPEG
- 10x average bandwidth and storage reduction over MJPEG

#### Multi-Streaming

- Up to 8 concurrent non-identical streams with different frame rates, bit rates, resolutions and picture quality

#### Bit Rate Control

- Maintain desired bandwidth and storage size

#### Real Time Streaming Protocol (RTSP)

- Allows for compatibility with media players such as Apple QuickTime, Windows Media Player, VLC Player, etc.

#### Superior Low Light Performance

- 1/2" CMOS Sensor

#### Unparalleled High Definition Resolution - 1600 x 1200

- Six times the resolution of IP VGA or analog cameras

#### Fastest MegaPixel Image Rates

- Up to 24fps in 2 megapixel mode

#### Forensic Zooming

- Zoom live or after-event while recording full field of view in HD ... replace PTZ devices

#### Reduced Overall System Cost

- Less cameras to install, less wiring, no external power (POE), less NVR licensing fees

#### Cost Efficiency

- Comparable cost to IP VGA & analog cameras

#### Programmable 1/4 Resolution

- Can be initiated by motion detection or alarm inputs

#### Other key features:

- Simultaneous full field of view and Region-of-Interest (ROI)
- Image cropping allows streaming of full density partial images
- On-camera motion detection
- Motorized IR Cut Filter with focus shift correction (DN Version) and more

*The AV2105 series network camera is part of Arecont Vision's full line of H.264 megapixel cameras. This fully compliant implementation of H.264 (MJPEG, Part 10) is capable of sustaining over 80 billion operations per second and maintaining full motion progressive scan 1600 x 1200 video at 24 fps. Part of the MegaVideo® line of cameras, it offers bandwidth and storage efficiency of 10X greater on average over traditional megapixel counterparts.*

H.264 camera series

Learn more about our products at [www.arecontvision.com](http://www.arecontvision.com)

## Model Numbers:

- AV2105 - Color
- AV2105-AI - Color Auto-Iris
- AV2105DN - Day/Night

## Imaging

- 2 megapixel CMOS image sensor
- 1600(H) x 1200(V) pixel array
- 1/2" optical format
- 4.2 µm pixel pitch
- Bayer mosaic RGB filter
- Minimum illumination of:
  - Color: 0.1 Lux @ F1.4
  - Day/Night: 0 Lux, IR sensitive
- Dynamic range 60 dB
- Maximum SNR 45 dB

## Full Field of View (FOV) Resolutions

- 1600x1200 (HxW) 2 megapixel
- 800x600 (HxW) 1/4 resolution

## Cropped Field of View Resolutions

- 1280x1024 1.3 MP
- 1280x720 HDTV - 720p
- 1024x768 XGA
- 800x600 SVGA
- 704x570 PAL
- 704x480 NTSC
- 640x480 VGA
- 352x288 CIF
- 320x240 SIF

## Data Transmission

- Data rate
  - up to 55Mbps
  - bit rate control from 100Kbps to 10Mbps
  - bit rate control available for full view, multi view, and archive
- Video frame rate up to:
  - 24fps @ 1600x1200
  - 30fps @ 1280x1024
- Compression type
  - H.264 (MPEG4, Part 10)
  - Motion JPEG
  - 21 levels of quality
- TFTP, HTTP, RTSP image transmission protocols
- 100Base-T Ethernet Network Interface

## Programmability

- Auto Exposure (AE) and Gain Control (AGC) >120dB
- On-camera real-time motion detection with 64 detection zones
- Auto backlight compensation
- Auto multi-matrix white balance
- 50/60Hz selectable flicker control
- Electronic pan, tilt, zoom (PTZ)
- Electronic image flip - 180 degree rotation
- Resolution windowing down to 32x32 pixels window
- Programmable shutter speed to help control motion blur
- MoonLight™ mode - extended exposure and proprietary noise cancellation
- Programmable resolution, brightness, saturation, gamma, sharpness, tint
- Picture-in-Picture: simultaneous delivery of full field of view and zoomed images
- Bandwidth & storage savings by running at 1/4 resolution

## Electrical

- Opto-coupled alarm or trigger input, opto-coupled alarm and flash sync output
- Power over Ethernet (PoE): PoE 802.3af
- DC input: auxiliary 15V-48V DC
- Power consumption 4 Watts maximum
- Optional DC AI connection (AV2105 - AI)

## Regulatory Approvals

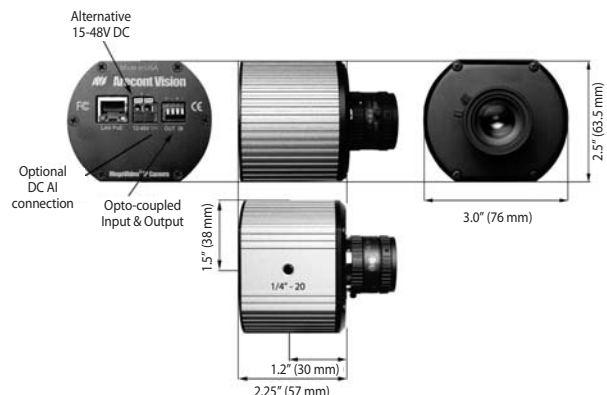
- FCC and CE compliant

## Environmental

- Operating temperature 0°C (32 °F) to +50°C (122 °F)
- Storage temperature -20°C (-4 °F) to +60°C (140 °F)
- Humidity 0% to 90% (non condensing)

## Mechanical

- 3"W (76 mm) x 2.5"H (63.5 mm) x 2.25"D (57mm) (w/o lens)
- 8.6 oz (243 grams) (w/o lens)
- C/CS lens mount



## Housing Accessories:

- Dome 4-I - Indoor 4" Vandal Dome
- Dome 5-I - Indoor 5" Recessed Dome

## Lenses:

LENS 6.0 6mm MP Lens	M1614-MP 16mm MP Lens	H0514-MP 5mm MP Lens
M0814-MP 8mm MP Lens	M2514-MP 25mm MP Lens	LENS4-10 4-10mm MP Varifocal Lens
M1214-MP 12mm MP Lens	15M5018-MP 50mm MP Lens	LENS4-13 4.5-13mm MP Varifocal IR Lens

\* Other megapixel lenses are also available

