

**Datasheet**

# MIC1-400 Aluminium

Precision through flexibility

**BRUSHLESS**  
MOTOR TECHNOLOGY



Forming part of the “Metal Mickey” MIC1 series of fully functional PTZ cameras, the MIC1-400 aluminium range has been designed to offer an extremely reliable, robust and high quality surveillance solution for security applications that demand the very best performance. Precision engineered to exacting standards, the range offers numerous benefits over the use of traditional dome and PTZ cameras, with a variety of options available in order to offer a best fit solution for virtually any application.

Rated to an industry leading IP68, the compact vandal resistant 6mm thick aluminium camera housing is suitable for installation in the harshest of environments, while the optically perfect flat viewing window and integrated wiper option ensure razor sharp images are captured in even the most demanding conditions.

Brushless motor technology ensures ultra-reliable, whisper quiet operation while groundbreaking resolver technology provides pin-point accuracy and affords the user full 360° continuous rotation pan and an unprecedented 320° tilt control.

A choice of true day/night camera modules, offering up to 36x optical zoom (12x digital), coupled with flexible upright or inverted mounting capability, allows the perfect field of view to be achieved every time

For further information and application examples please visit us at [FVcctv.co.uk](http://FVcctv.co.uk)

**STANDARD BLACK**



**Inverted Mount**



**Upright Mount**



**Canted Mount**

**STANDARD GREY**



**Inverted Mount**



**Upright Mount**



**Canted Mount**

ALSO AVAILABLE IN STANDARD WHITE & BESPOKE COLOURS

**Features at a glance**

**Rated to an industry leading IP68**

Zero dust ingress and able to withstand sustained periods of immersion under water, the MIC1-400 aluminium range is perfectly suited for installation in even the most unforgiving environments

**Host of mounting and viewing options**

Faultless operation either upright or inverted gives the user a host of mounting and viewing possibilities. A canted option is provided for upright pole-mounted applications, allowing the base of the pole to be viewed

**Brushless Motor Technology**

Whisper quiet operation and smooth control is provided through the use of ultra-reliable brushless motors

**Heater and wiper options**

Hot or cold, rain or shine – regardless of the weather the MIC1-400 aluminium range is able to capture the highest possible quality image all year around thanks to its integrated wiper and heater options

**Multi-protocol operation**

Compatible with virtually any control equipment available today, the MIC1-400 aluminium range is able to seamlessly integrate with the vast majority of security systems

**Suitable for virtually any application**

The sheer versatility of the MIC1-400 aluminium range makes it suitable for any number of applications

**Aluminium – Stainless Steel – Underwater – ATEX Certified – Static – Infrared – Public Address – Thermal**  
General CCTV – Town Centres – Extreme Environments – Rapid Deployment – High Security – Prestigious Developments – Broadcast – Marine/Coastal – Architectural

**Camera Module**

Image sensor	1/4" EXview CCD
Picture elements	380K NTSC / 440K PAL (WIDE)
Horizontal resolution	470TVL NTSC / 460TVL PAL (WIDE)
Filter	Automatic mechanical IR cut filter
Focus system	Auto or manual
Iris	Auto or manual with slow shutter integration modes
Synchronisation	Internal / External (V-Lock)
Recommended illumination	100 to 100,000 lux
Signal/Noise ratio	50dB or more
Back Light Compensation (BLC)	On/Off
White balance	Automatic
Automatic Gain Control (AGC)	-3 to -28 dB, 2dB steps
Aperture control	16 Steps

**18x optical zoom module**

Lens	F=4.1mm (WIDE) to 73.8mm (TELE), F1.4 to F3.0
Zoom	18x optical (12x digital)
Angle of view	48° (WIDE end) to 2.8° (TELE end)
Minimum illumination	0.7 lux (F1.4, 1/60s NTSC, 1/50s PAL), 0.11 lux (F1.4, 1/4s NTSC, 1/3s PAL), 0.01 lux or less (F1.4, 1/4s NTSC, 1/3s PAL, ICR ON)
Shutter speed	1/1 to 1/10,000s (22 steps) NTSC, PAL

**36x optical zoom module**

Lens	F=3.4mm (WIDE) to 122.4mm (TELE), F1.6 to F4.5
Zoom	36x optical (12x digital)
Angle of view	57.8° (WIDE end) to 1.7° (TELE end)
Minimum illumination	1.4 lx (1/60s NTSC, 1/50s PAL), 0.1 lux (1/4s NTSC, 1/3s PAL), 0.01 lux or less (1/4s NTSC, 1/3s PAL, ICR ON)
Shutter speed	1/4 to 1/10,000s (20 steps) NTSC, 1/3 to 1/10,000s (20 steps) PAL

**Operational\***

Auto flip	Yes
Manual flip	Yes
Dynamic privacy zones	3D privacy masking with infinite zones (using optional privacy card)
Presets	64 telemetry presets utilising resolver technology (using FV protocol, 10 camera set-up presets to allow ANPR, colour correction etc.)
Preset tours	6 tours each with up to 32 presets
Sector titles	Yes (64 sectors), 20 characters per title
Preset titles	20 character option for each of the 64 presets
Home position	Yes (preset 1 or tour)

**Communication & Protocols**

Communication	RS485 / RS422
Control protocol	Refer to current supported protocol list

**Connectivity**

Video	Co-axial via composite cable
Telemetry	Twisted pair. Simplex, half and full duplex operation via composite cable
Power	Via composite cable

**Alarms**

Alarm inputs	1 tamper input (additional inputs possible with optional alarm card in PSU)
Alarm communication	Tamper switch (ground connection)

**Mechanical**

Drive unit	Integral pan/tilt motor drive
Pan angle	360° continuous rotation
Pan speed	Up to 90° per second (variable)
Tilt angle	320°
Tilt speed	0.2° to 90° per second (variable)
Speed control	Closed loop electronics
Preset accuracy	Better than 0.08°
Proportional P/T to Zoom	Yes

**Physical**

Construction material	6mm thick aluminum
Viewing window	Tempered flat glass
Standard colours	Black( RAL9005), Grey (RAL7001) or White (RAL9003)
Standard finish	Powder coated
Dimensions	205(W) x 360(H) x 165(D)mm (upright and inverted)
Weight	5.5Kg (including 4" PCD base)

**Environmental**

Operational temperature	-20°C to +50°C, (-30° with optional heater)
Weatherproofing	NEMA 4x / IP68

\*functions available when used with the Forward Vision protocol, other protocols may vary.

**Electrical**

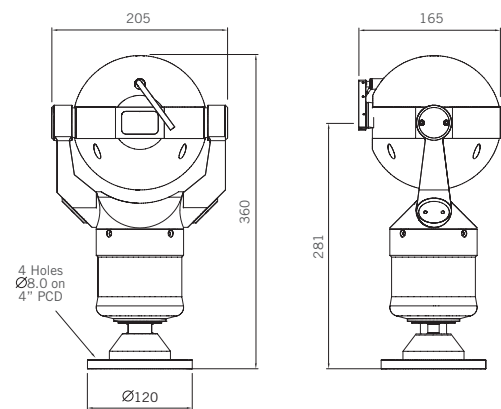
Input voltage	15V AC / 18V DC
Power consumption	25.2W max

**Available Options**

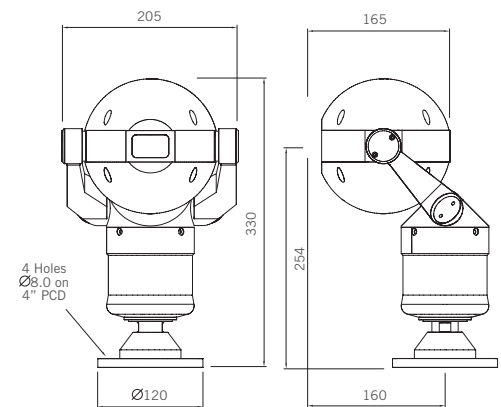
Configurations available	Upright mount, inverted mount or upright Canted at 45° mount options
Colour/Finish	Bespoke colours and finishes available on request
Camera module	18x camera module or 36x camera module
Camera colour system	NTSC or PAL
Installed protocol	Choose from current protocol list
Telemetry control card	Built-in
Window wiper	Optional, factory fit
Washer	Optional, factory fit (bracket and nozzle supplied only)
Washer pump drive card	Optional, fitted in PSU
Heater	Optional, factory fit
Privacy board	Optional, factory fit
Alarm card	Optional (fitted in PSU)
Speakers	Optional, factory fit
IR lamps	Optional, factory fit, specify upright or inverted camera operation (uses special PSU)

**Accessories**

Power supply	Choice from 115V AC, 230V AC, 24V AC or 12V DC versions
Cabling	Optional. Choose from 2M, 10M, 20M or 25M versions



MIC1-400 Upright



MIC1-400 Canted

All measurements in mm.

**DEALER / DISTRIBUTOR**


Specifications are subject to change without notice

MIC1\_400\_aluminium\_version2



**FORWARD VISION CCTV LTD**  
 UNIT 4  
 FLEET BUSINESS PARK  
 SANDY LANE  
 CHURCH CROOKHAM  
 HAMPSHIRE  
 GU52 8BF  
 ENGLAND

**FOR FURTHER INFORMATION  
 ON THE FORWARD VISION  
 PRODUCT RANGE, PLEASE  
 VISIT US AT [FVcctv.co.uk](http://FVcctv.co.uk)**

**T 08700 113131  
 E [info@FVcctv.co.uk](mailto:info@FVcctv.co.uk)**

