

Datasheet

MIC1-400 Infrared

Precision through flexibility



BRUSHLESS
MOTOR TECHNOLOGY

Forming part of the “Metal Mickey” MIC1 series of fully functional PTZ cameras, the MIC1-400 infrared range has been designed to offer an extremely reliable, robust and high quality surveillance solution for security applications that demand the very best performance both during the day and at night. Precision engineered to exacting standards, the range offers numerous benefits over the use of traditional dome and PTZ cameras and comes with a variety of options in order to offer a best fit solution for virtually any application.

Rated to an industry leading IP68, the vandal resistant 6mm thick aluminium camera housing is suitable for installation in the harshest of environments, while the optically perfect flat viewing window and integrated wiper option ensure razor sharp images are captured in even the most demanding conditions.

IR illumination is provided by two 850nm units built-in to the camera head by IR specialists Derwent Systems. Featuring Black Diamond™ technology, the IR light produced from the surface mounted LEDs evenly illuminates the foreground and background of an entire scene, eliminating hot spots and underexposure for outstanding picture quality up to a distance of 55 meters.

Brushless motor technology ensures ultra-reliable, whisper quiet operation while groundbreaking resolver technology provides pin-point accuracy and affords the user full 360° continuous rotation pan and 200° tilt control.

A choice of true day/night camera modules, offering up to 36x optical zoom (12x digital), coupled with flexible upright or inverted mounting capability, allows the perfect field of view to be achieved every time.

For further information and application examples please visit us at FVcctv.co.uk

STANDARD BLACK



Inverted Mount



Canted Mount

ALSO AVAILABLE IN STANDARD GREY, STANDARD WHITE & BESPOKE COLOURS

Features at a glance

Twin integrated IR illuminators

2 x 850nm IR illuminators are attached directly to the camera head to provide IR light exactly where it's needed

Brushless motor technology

Whisper quiet operation and smooth control is provided through the use of ultra-reliable brushless motors

Host of mounting and viewing options

Faultless operation either upright or inverted gives the user a host of mounting and viewing possibilities. A canted option is provided for upright pole-mounted applications, allowing the base of the pole to be viewed

Wiper option

Rain or shine – regardless of the weather the MIC1-400 infrared range is able to capture the highest possible quality image all year around thanks to its integrated wiper option

Multi-protocol operation

Compatible with virtually any control equipment available today, the MIC1-400 infrared range is able to seamlessly integrate with the vast majority of security systems

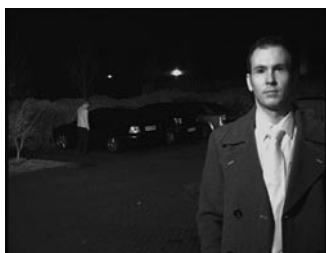
Suitable for virtually any application

The sheer versatility of the MIC1-400 infrared range makes it suitable for any number of applications

BLACKDIAMOND™



IR without Black Diamond



IR with Black Diamond

Camera Module

Image sensor	1/4" EXview CCD
Picture elements	380K NTSC / 440K PAL (WIDE)
Horizontal resolution	470TVL NTSC / 460TVL PAL (WIDE)
Filter	Automatic mechanical IR cut filter
Focus system	Auto or manual
Iris	Auto or manual with slow shutter integration modes
Synchronisation	Internal / External (V-Lock)
Recommended illumination	100 to 100,000 lx
Signal/Noise ratio	50dB or more
Back Light Compensation (BLC)	On/Off
White balance	Automatic
Automatic Gain Control (AGC)	-3 to -28 dB, 2dB steps
Aperture control	16 Steps

18x optical zoom module

Lens	F=4.1mm (WIDE) to 73.8mm (TELE), F1.4 to F3.0
Zoom	18x optical (12x digital)
Angle of view	48° (WIDE end) to 2.8° (TELE end)
Minimum illumination	0.7 lux (F1.4, 1/60s NTSC, 1/50s PAL), 0.11 lux (F1.4, 1/4s NTSC, 1/3s PAL), 0.01 lux or less (F1.4, 1/4s NTSC, 1/3s PAL, ICR ON)
Shutter speed	1/1 to 1/10,000s (22 steps) NTSC, PAL

36x optical zoom module

Lens	F=3.4mm (WIDE) to 122.4mm (TELE), F1.6 to F4.5
Zoom	36x optical (12x digital)
Angle of view	57.8° (WIDE end) to 1.7° (TELE end)
Minimum illumination	1.4 lux (1/60s NTSC, 1/50s PAL), 0.1 lux (1/4s NTSC, 1/3s PAL), 0.01 lux or less (1/4s NTSC, 1/3s PAL, ICR ON)
Shutter speed	1/4 to 1/10,000s (20 steps) NTSC, 1/3 to 1/10,000s (20 steps) PAL

IR Illuminators

LED array	High efficiency Surface Mount (SMT) LEDs
No of LEDs	7 per lamp
Wavelength	850nm (semi-covert)
Beam angle	30°
IR distance	55 meters
Weather proofing	IP68
Construction material	Aluminium with acrylic font window
IR technology	Black Diamond™ for even illumination across the entire scene
Power consumption	9W nominal per lamp on full power, 18W total for twin IR
Current	700mA per lamp

Operational*

Auto flip	Yes
Manual flip	Yes
Dynamic privacy zones	3D privacy masking with infinite zones (using optional privacy card)
Presets	64 telemetry presets utilising resolver technology (using FV protocol, 10 camera set-up presets to allow ANPR, colour correction etc.)
Preset tours	6 tours each with up to 32 presets
Sector titles	Yes (64 sectors) 20 characters per title
Preset titles	20 character caption for each of the 64 presets
Home position	Yes (preset 1 or tour)

Communication & Protocols

Communication	RS485 / RS422
Control protocol	Refer to current supported protocol list

Connectivity

Video	Co-axial via composite cable
Telemetry	Twisted pair. Simplex, half and full duplex operation via composite cable
Power	Via composite cable

Alarms

Alarm inputs	1 tamper input (additional inputs possible with optional alarm card in PSU)
Alarm communication	Tamper switch (ground connection)

Mechanical

Drive unit	Integral pan/tilt motor drive
Pan angle	360° continuous rotation
Pan speed	Up to 90° per second (variable)
Tilt angle	200°
Tilt speed	0.2° to 90° per second (variable)
Speed control	Closed loop electronics
Preset accuracy	Better than 0.08°
Proportional P/T to zoom	Yes

*functions available when used with the Forward Vision protocol, other protocols may vary.

Physical

Construction material	6mm thick aluminum
Viewing window	Tempered flat glass
Standard colours	Black (RAL9005), Grey (RAL7001) or White (RAL9003)
Standard finish	Powder coated
Dimensions	385(W) x 360(H) x 165(D)mm (upright & inverted) 385(W) x 330(H) x 217(D)mm (canted)
Weight	6.5Kg (including 4" PCD base)

Environmental

Operational temperature	-20°C to +50°C,
Weatherproofing	NEMA 4x / IP68

Electrical

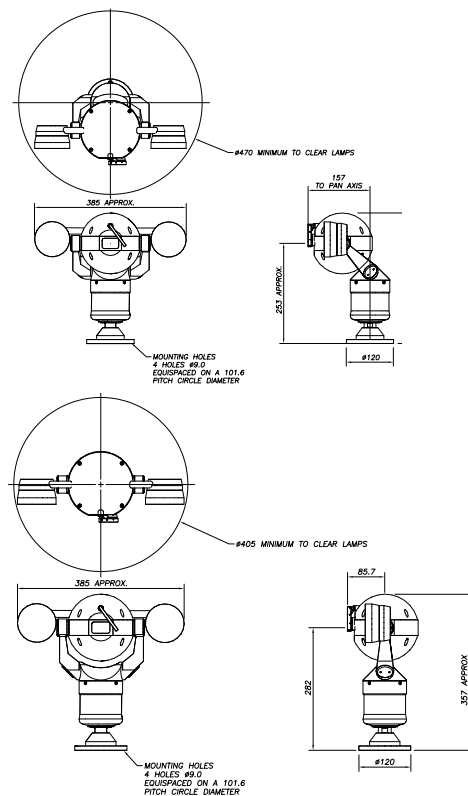
Input voltage	15V AC / 18V DC
Power consumption	Max 50W

Available Options

Configurations available	Upright mount, inverted mount or upright canted at 45° mount options
Colour/Finish	Bespoke colours and finishes available on request
Camera module	18x camera module or 36x camera module
Camera colour system	NTSC or PAL
Installed protocol	Choose from current protocol list
Telemetry control card	Built-in
Window wiper	Optional, factory fit
Washer	Optional, factory fit (bracket and nozzle supplied only)
Washer pump drive card	Standard, fitted in PSU
Privacy board	Optional, factory fit
Alarm card	Standard, fitted in PSU
IR lamps	Specify upright or inverted camera operation

Accessories

Power supply	Choice from 115V AC, 230V AC or 12V DC versions (IR Specific PSU)
Mounting hardware	Compatible with all MIC1 series bracketry
Cabling	Optional. Choose from 2M, 10M, 20M or 25M versions



All measurements in mm.

DEALER / DISTRIBUTOR


Specifications are subject to change without notice

MIC1_400_infrared_version3



FOR FURTHER INFORMATION
ON THE FORWARD VISION
PRODUCT RANGE, PLEASE
VISIT US AT FVcctv.co.uk

FORWARD VISION CCTV LTD
UNIT 4
FLEET BUSINESS PARK
SANDY LANE
CHURCH CROOKHAM
HAMPSHIRE
GU52 8BF
ENGLAND

T 08700 113131
E info@FVcctv.co.uk

