

Datasheet

MIC1-440 ATEX Certified

Precision through flexibility



Forming part of the “Metal Mickey” MIC1 series of fully functional PTZ cameras, the MIC1-440 ATEX certified range has been designed to offer an extremely reliable, robust and high quality surveillance solution for potentially volatile security applications that demand the very best performance. Precision engineered to exacting standards, the range meets the requirements of ATEX Directive 94/9/EC Exd IIC T6 for safe use in explosive atmospheres like those found in oil, gas, chemical processing sites and petrochemical refineries.

Rated to an industry leading IP68, the specially designed aluminium camera housing is suitable for installation in the harshest of environments, while the optically perfect flat viewing window and integrated wiper option ensure razor sharp images are captured in even the most demanding conditions. This allows the MIC1-440 ATEX certified range to function perfectly in highly corrosive areas such as off shore oil rigs.

The use of high specification motors ensures reliable operation, while groundbreaking resolver technology provides pin-point accuracy and affords the user full 360° continuous rotation pan and an unprecedented 320° tilt control.

A choice of true day/night camera modules, offering up to 36x optical zoom (12x digital), coupled with flexible upright or inverted mounting capability, allows the perfect field of view to be achieved every time.

For further information and application examples please visit us at FVcctv.co.uk

Features at a glance ATEX Certified

Meets the requirements of ATEX Directive 94/9/EC Exd IIC T6 for safe use in explosive atmospheres

Rated to an industry leading IP68

Zero dust ingress and able to withstand sustained periods of immersion under water, the MIC1-440 ATEX certified range is perfectly suited for installation in even the most unforgiving environments

Integrated wiper

Regardless of the weather the MIC1-440 ATEX certified range is able to capture the highest possible quality image all year around thanks to its integrated wiper

Multi-protocol operation

Compatible with virtually any control equipment available today, the MIC1-440 ATEX certified range is able to seamlessly integrate with the vast majority of security systems

Camera Module

Image sensor	1/4" EXview CCD
Picture elements	380K NTSC / 440K PAL (WIDE)
Horizontal resolution	470TVL NTSC / 460TVL PAL (WIDE)
Filter	Automatic mechanical IR cut filter
Focus system	Auto or manual
Iris	Auto or manual with slow shutter integration modes
Synchronisation	Internal / External (V-Lock)
Recommended illumination	100 to 100,000 lx
Signal/Noise ratio	50dB or more
Back Light Compensation (BLC)	On/Off
White balance	Automatic
Automatic Gain Control (AGC)	-3 to -28 dB, 2dB steps
Aperture control	16 Steps

18x optical zoom module

Lens	F=4.1mm (WIDE) to 73.8mm (TELE), F1.4 to F3.0
Zoom	18x optical (12x digital)
Angle of view	48° (WIDE end) to 2.8° (TELE end)
Minimum illumination	0.7 lux (F1.4, 1/60s NTSC, 1/50s PAL), 0.11 lux (F1.4, 1/4s NTSC, 1/3s PAL), 0.01 lux or less (F1.4, 1/4s NTSC, 1/3s PAL, ICR ON)
Shutter speed	1/1 to 1/10,000s (22 steps) NTSC, PAL

36x optical zoom module

Lens	F=3.4mm (WIDE) to 122.4mm (TELE), F1.6 to F4.5
Zoom	36x optical (12x digital)
Angle of view	57.8° (WIDE end) to 1.7° (TELE end)
Minimum illumination	1.4 lux (1/60s NTSC, 1/50s PAL), 0.1 lux (1/4s NTSC, 1/3s PAL), 0.01 lux or less (1/4s NTSC, 1/3s PAL, ICR ON)
Shutter speed	1/4 to 1/10,000s (20 steps) NTSC, 1/3 to 1/10,000s (20 steps) PAL

Operational*

Auto flip	Yes
Manual flip	Yes
Presets	64 telemetry presets accurate to less than 0.1° utilising resolver technology (using FV protocol, 10 camera set-up presets to allow ANPR, colour correction etc.)
Preset tours	6 tours each with up to 32 points
Sector titles	Yes (64 sectors) 20 characters per title
Preset titles	20 character caption for each of the 64 presets
Home position	Yes (preset 1 or tour)

Communication & Protocols

Communication	RS485 / RS422
Control protocol	Refer to current supported protocol list

Connectivity

Video	Co-axial via composite cable
Telemetry	Twisted pair. Simplex, half and full duplex operation via composite cable
Power	Via composite cable

Alarms

Alarm inputs	1 tamper input (additional inputs possible with optional alarm card in PSU)
Alarm communication	Tamper switch (ground connection)

Mechanical

Drive unit	Integral pan / tilt motor drive
Pan angle	360° continuous rotation
Pan speed	Variable up to 48° per second with automatic acceleration and deceleration control
Tilt angle	320° electronic and mechanical stops
Tilt speed	0.2° to 48° per second variable
Speed control	Closed loop electronics
Preset accuracy	Better than 0.08° pan/tilt
Proportional P/T to zoom	Yes

Physical

Construction material	Solid aluminium
Viewing window	Tempered flat glass
Standard colours	Standard black (RAL9005)
Standard finish	Powder coated
Dimensions	286(W) x 532.6(H) x 189(D)mm (including deep conduit adapter)
Weight	15.5Kg including 4" PCD base and supplied deep conduit adapter

Environmental

Operational temperature	-20°C to +60°C
Weatherproofing	NEMA 4x / IP68

Electrical

Input voltage	15V AC / 18V DC
Power consumption	25.2W max

Available Options

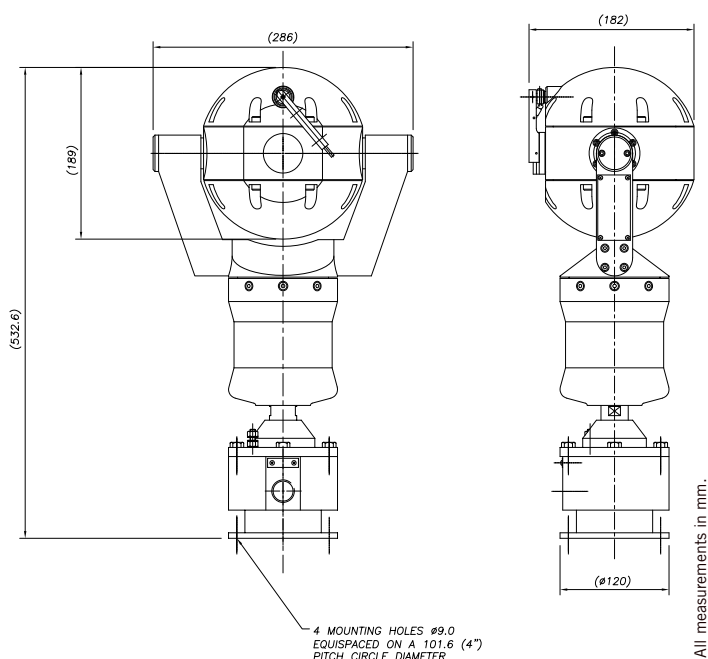
Power supply	Choice from 115V AC, 230V AC or 24V AC
Mounting hardware	Compatible with all MIC1 series bracketry
Cabling	Optional. Choose from 2M, 10M, 20M or 25M versions
EXD accessories	Please call for details on EXD glands, cables, conduits & PSU enclosures

Accessories

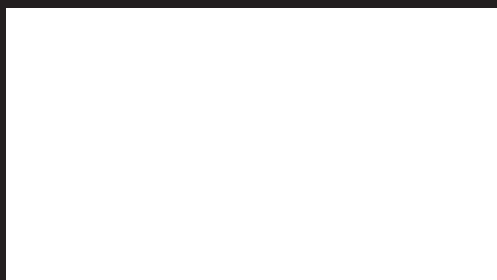
Power supply	Choice from 115V AC, 230V AC or 12V DC versions (IR Specific PSU)
Mounting hardware	Compatible with all MIC1 series bracketry
Cabling	Optional. Choose from 2M, 10M, 20M or 25M versions

Approvals

ATEX certified	Directive 94/9/EC Exd IIC T6
----------------	------------------------------



*functions available when used with the Forward Vision protocol, other protocols may vary.

DEALER / DISTRIBUTOR


Specifications are subject to change without notice

MIC1_440_ATEX_version2



FOR FURTHER INFORMATION
ON THE FORWARD VISION
PRODUCT RANGE, PLEASE
VISIT US AT FVcctv.co.uk

FORWARD VISION CCTV LTD
UNIT 4
FLEET BUSINESS PARK
SANDY LANE
CHURCH CROOKHAM
HAMPSHIRE
GU52 8BF
ENGLAND

T 08700 113131
E info@FVcctv.co.uk

